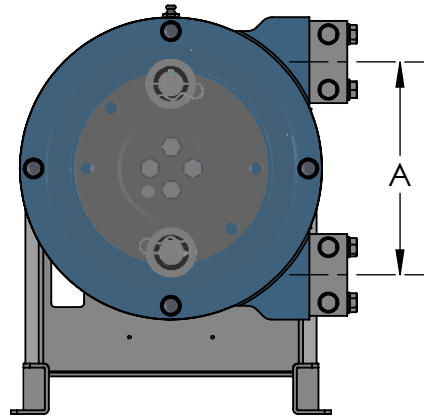


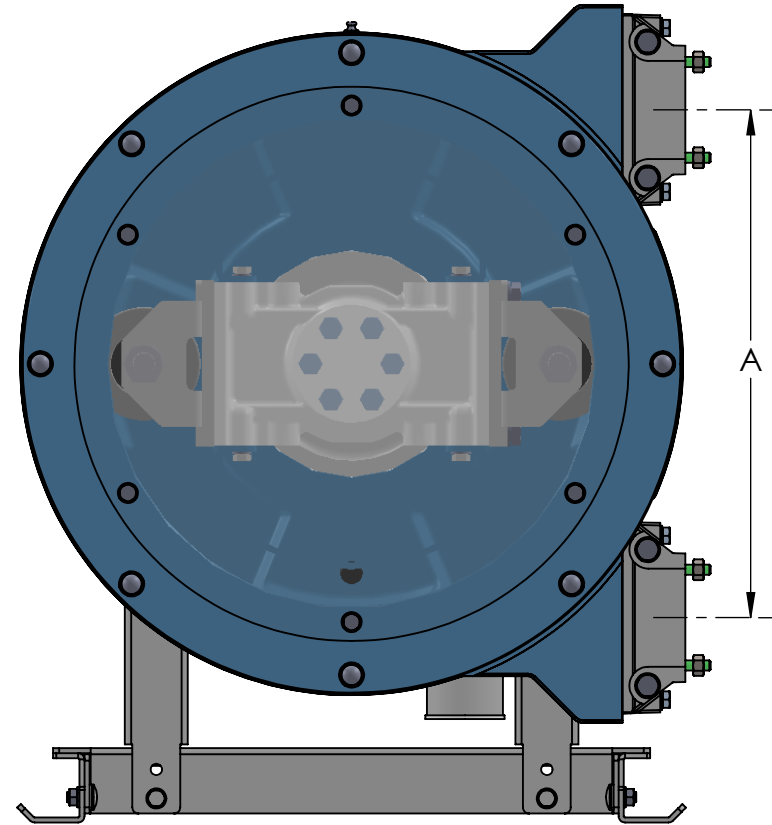
S Series and M Series Peristaltic Pump Identification

S16 Model Shown



S Series	Dimension A
S5 and S10	4.41in [112mm]
S16	6.65in [169mm]
S26	10.04in [255mm]

M40 Model Shown



M Series	Dimension A
M34	13.42in [341mm]
M40	15.87in [403mm]
M55	20.08in [510mm]
M68	27.09in [688mm]

NOTES:
Dimension "A" equals the distance from the center of the inlet and outlet port

*Models shown without flanges or inserts

PROPRIETARY AND CONFIDENTIAL

THE INFORMATION CONTAINED IN THIS DRAWING IS THE SOLE PROPERTY OF KECO PUMP AND EQUIPMENT. ANY REPRODUCTION IN PART OR AS A WHOLE WITHOUT THE WRITTEN PERMISSION OF KECO PUMP AND EQUIPMENT IS PROHIBITED.

KECO KECO PUMP AND EQUIPMENT
WWW.PUMPAHEAD.COM

PART NUMBER - DESCRIPTION

S Series and M Series Peristaltic Pump Identification

DIMENSION: INCHES / [MM]

SCALE: 1:6 SHEET 1 OF 1